

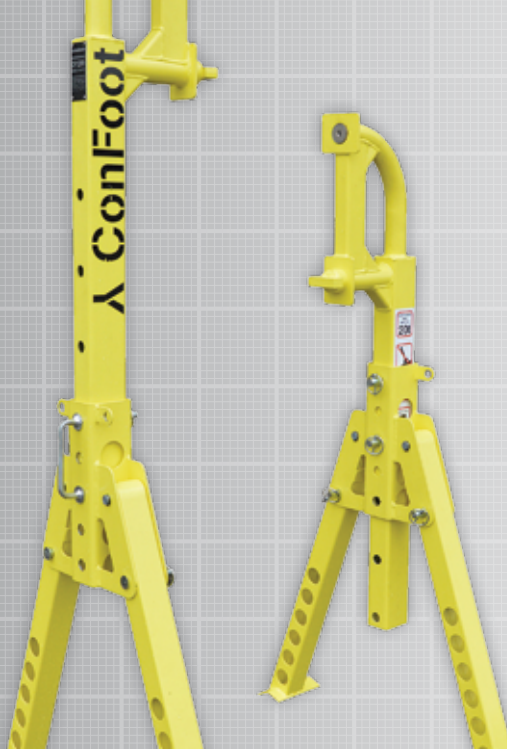


**ConFoot-leg<sup>®</sup>**

» Container Handling  
made simple



2



## **ConFoot<sup>®</sup> saves expensive equipment, time and money**

The ConFoot-leg<sup>®</sup> is a Finnish invention that makes container handling very simple.

The ConFoot-legs<sup>®</sup> can be attached and removed from the four corners of a container.

Your handling equipment, trailers and other transport equipment can now be used for other purposes while containers are being loaded or unloaded.

The ConFoot-legs<sup>®</sup> are easy and light and can be handled by just one person.



1.

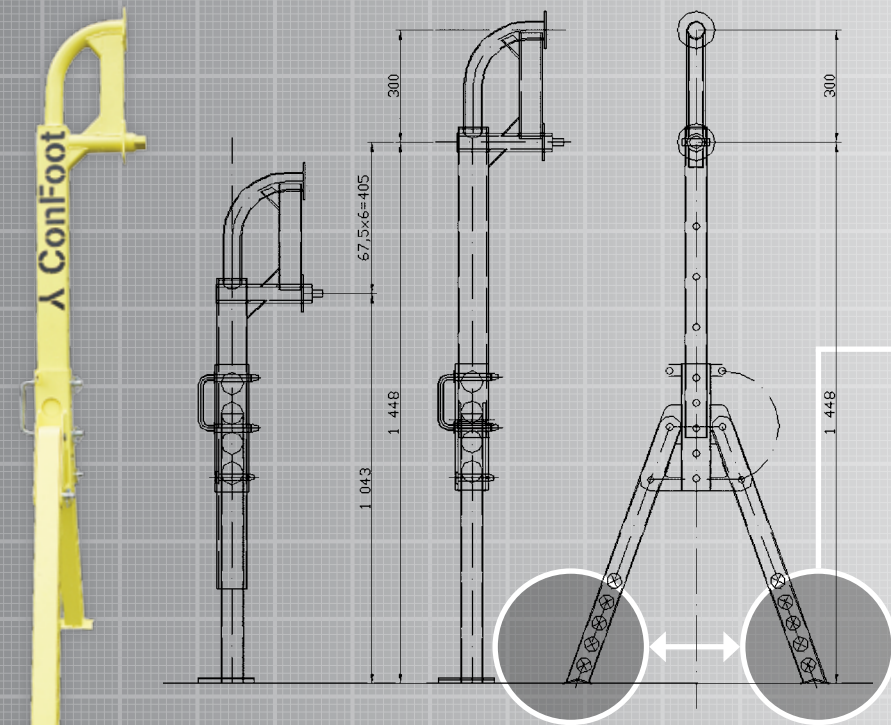
An air-suspended truck brings a container to its location.

2.

The driver installs the legs in just a few minutes, lowers the trailer and drives away.

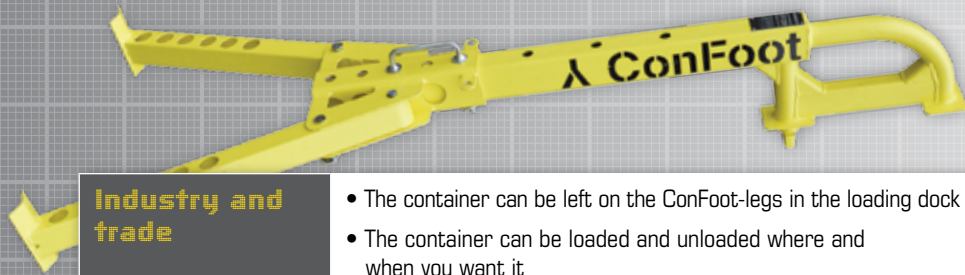
3.

The container is left to be unloaded or loaded.



## Patented innovation

- Total weight 24 kg per unit
- Nominal height 1043–1448 mm
- Maximum gross weight of container: 34t with CF-set
- 700 mm space between the feet keeps the container steady lengthwise
- Guarantee 2 years



### Industry and trade

- The container can be left on the ConFoot-legs in the loading dock
- The container can be loaded and unloaded where and when you want it
- Expensive (un)loading equipment is not needed anymore

### Swap body users

- No more investments in additional swap bodies
- Intermediate loadings are eliminated
- Lower transportation equipment costs

### Transportation companies

- Containers can be (un)loaded as a one-man operation
- Side loaders are replaced by ordinary trucks and trailers

### Forwarding companies

- The ConFoot-leg offers new possibilities for logistics supply chains

## New possibilities for logistics

The ConFoot-leg gives new possibilities for companies that transport or handle containers, such as.

- *Logistics centres*
- *Harbours*
- *Armed forces*



## References

*"We have 40ft containers standing on ConFoot-legs in our loading docks and are able to load our products according to our production schedule."*

STX Finland Cabins/Jukka Wikström

*"We take our containers to the customers loading dock outside of working hours and leave them standing on ConFoot-legs and pick the containers up when they have been unloaded."*

Team Lauren Oy/Mika Lauren

*"The ConFoot-legs make it possible for us to move a 20ft container from the middle to the back of the trailer chassis to be unloaded or loaded."*

R. Stenvall Oy/Jukka Mäkelä

*"We leave containers in loading docks on ConFoot-legs so we can continue to use our equipment for other purposes."*

V. Salminen Ky/Veikko Salminen



Start saving  
time, money and  
equipment with  
the compact and  
user friendly  
**ConFoot-legs<sup>®</sup>!**



### **Sales and marketing**

Sami Seppänen  
sami.seppanen@confoot.fi  
Tel. +358 40 142 6796

### **Postal address**

PO Box 287  
00151 Helsinki  
Finland

[www.confoot.fi](http://www.confoot.fi)